



MEDICAL

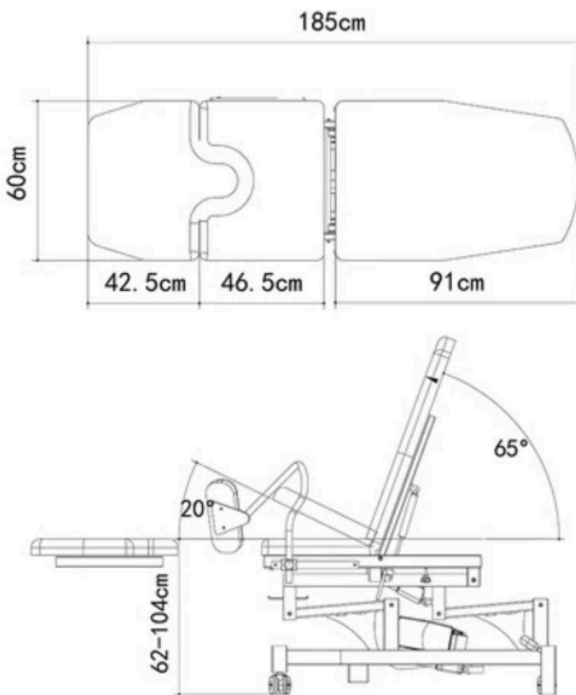
OB

Ref. EL3603.2.A66.WF

Electric Gynaecological Chair for general examinations, essential in any clinic, health centre or hospital thanks to a combination of comfort, versatility and durability. Equipped with 2 motors to adjust seat height and inclination, ensuring optimal manoeuvrability and better treatment for patients. Upholstered in high-resistance grey medical-grade PVC, resistant to fire, stains, mould, and wear, and easy to clean.



Watch video



Features:

- Electric seat height and tilt adjustment via footcontroller
- Elegant design with rounded legs for added safety
- Includes footpads and stirrups
- Includes waste tray and side rails
- Cushioned section for general use
- Adjustable feet for uneven surfaces
- Retractable 75 mm castors for safety and mobility
- Reliable TiMOTION motor
- Height range from 62 cm to 104 cm in approximately 30 seconds
- Padding thickness: 5 cm
- Foam density: 36 kg/m³
- Upholstery: High-resistance PVC vinyl, fire-, stain-, mould-, oil-, water-, and wear-resistant
- Warranty: 5 years for the structure, 3 years for electrical components
- Certifications: CE, FDA, ISO 13485:2016
- Load capacity: 250 kg