

# ***Transfer Stretcher***

High quality/Multi-function/Ergonomic Design

**DP-ZY102**

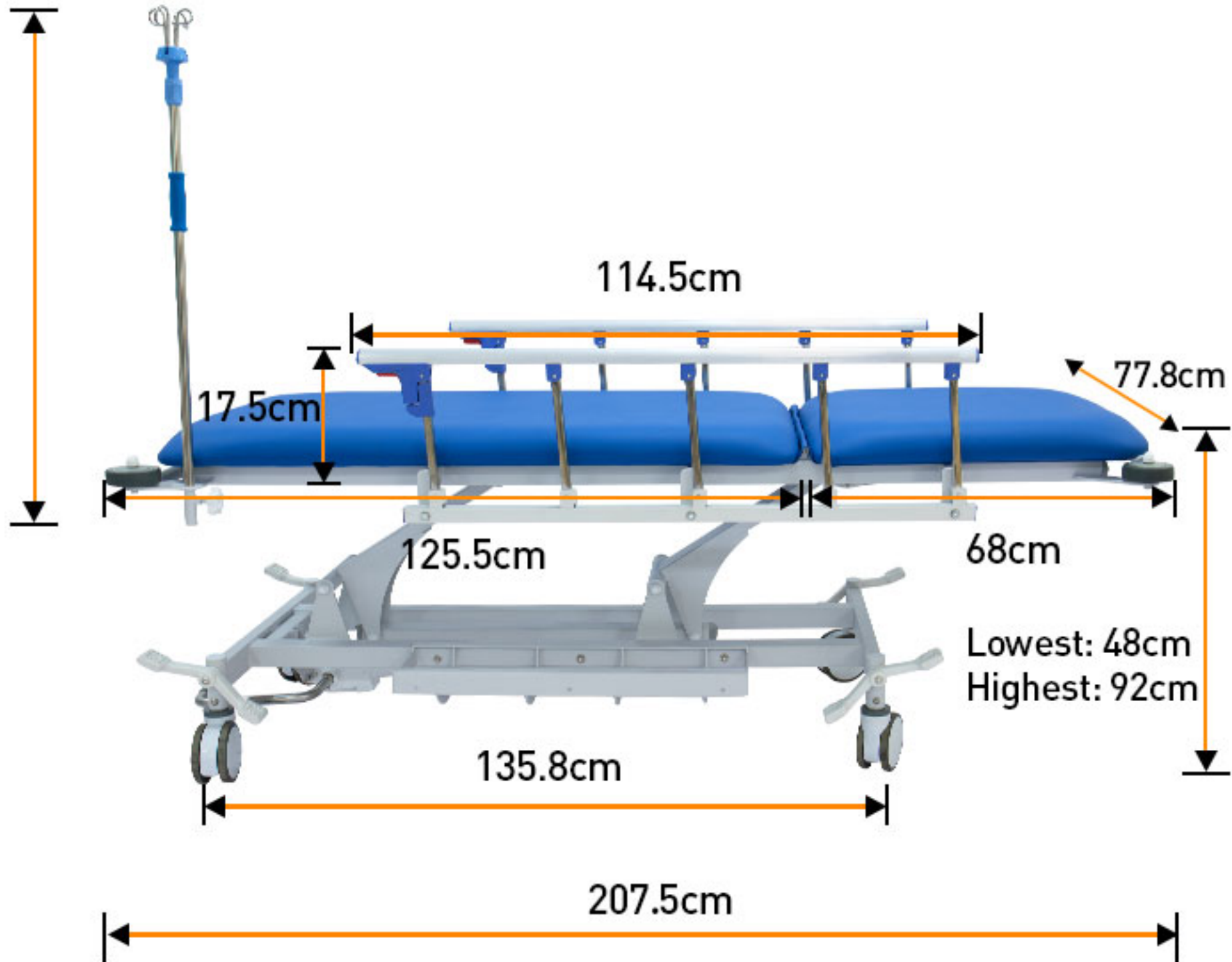
**ISO** ISO13485



# PRODUCT SIZE

\*MANUAL MEASUREMENT, DEVIATION 1-2CM\*

Infusion pole retractable  
distance: 95-175cm





Mobility function



Infusion function



Guardrail function



Brake function

**Specialized medical  
evacuation stretcher.**



# USE OF EACH DETAIL OF THE PRODUCT

COMFORTABLE ANGLE IS CONTROLL BY YOU



Folding Guardrail Adjustment Buttons



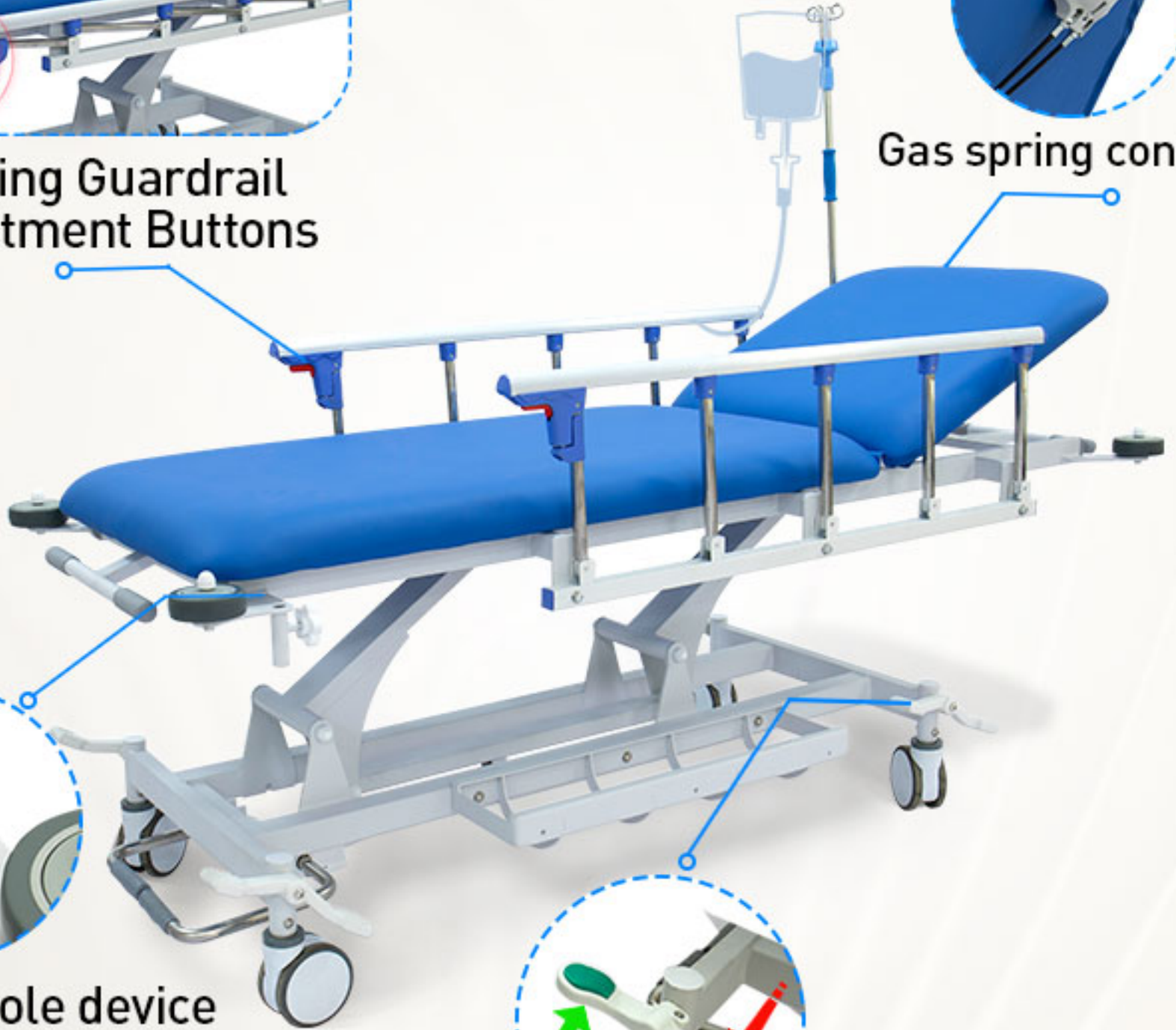
Gas spring control



Infusion pole device



Side brake device



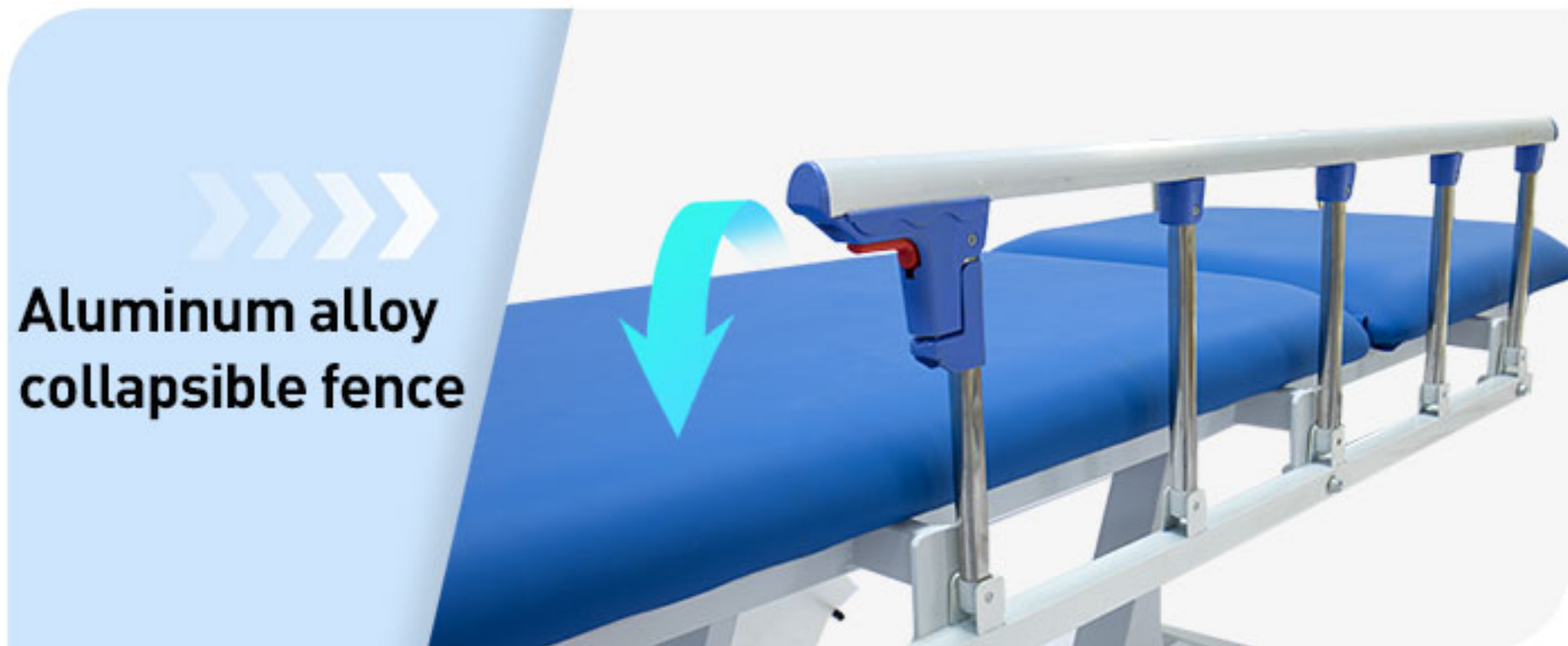
# **PRODUCT DISPLAY BY ANGLE**



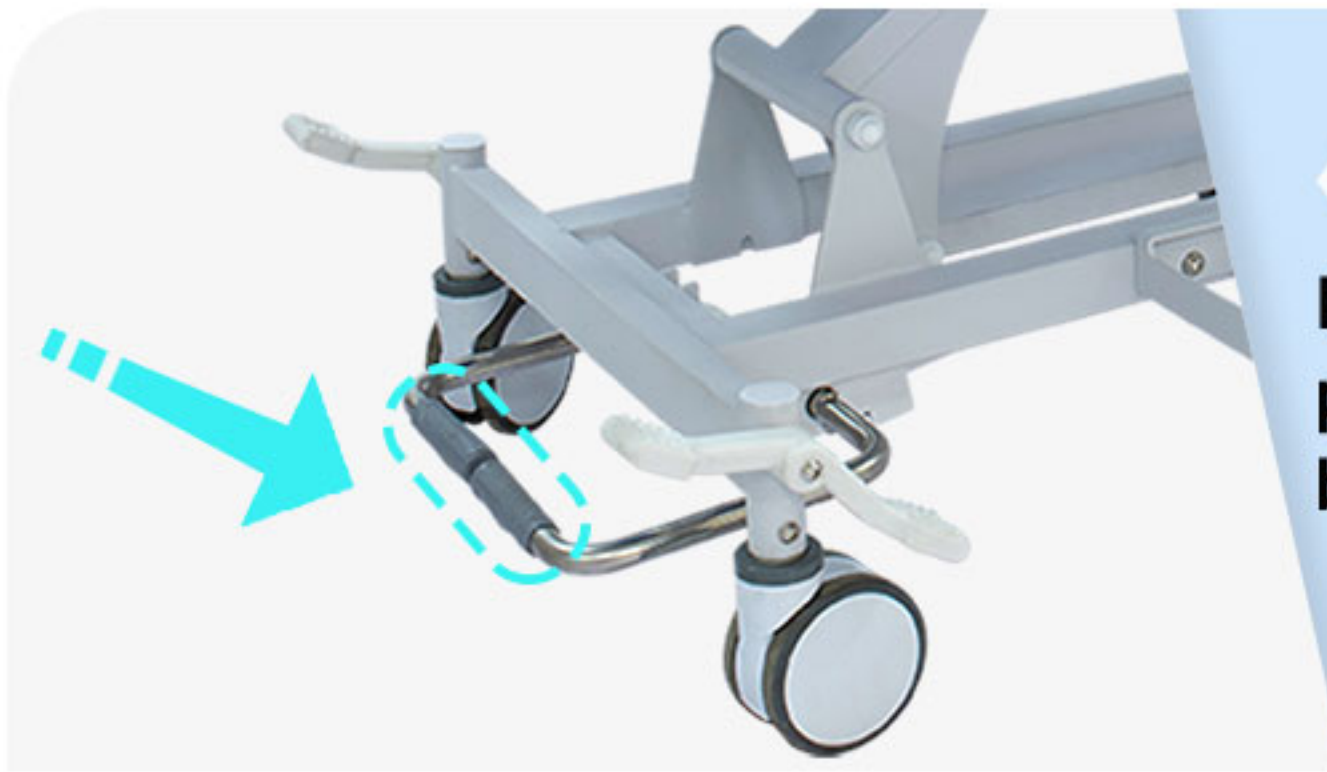
0~60°



**Adjustable back  
angle from 0-60°**



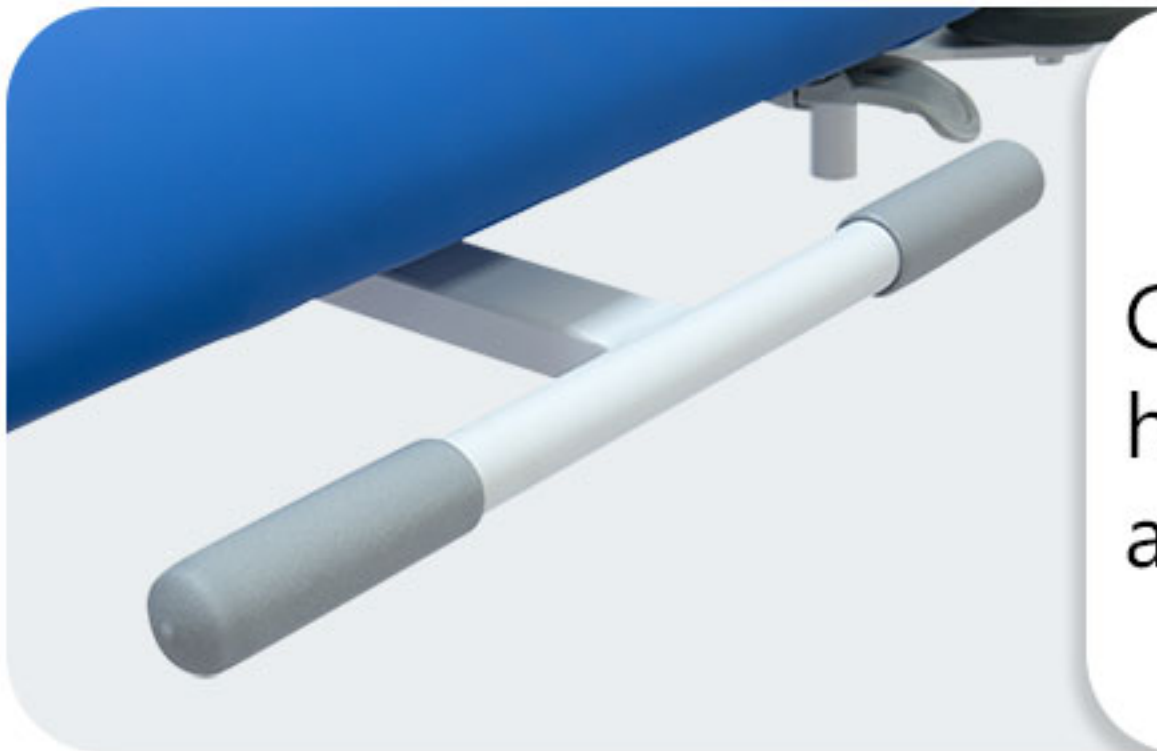
**Aluminum alloy  
collapsible fence**



Hydraulic pump  
pedal foot control  
bed lift

## ***OTHER DETAILS***

HAS MANY USES TO MEET YOUR NEEDS



1

Convenient pull  
handles at front  
and rear

2

Iron material  
more stable and  
durable

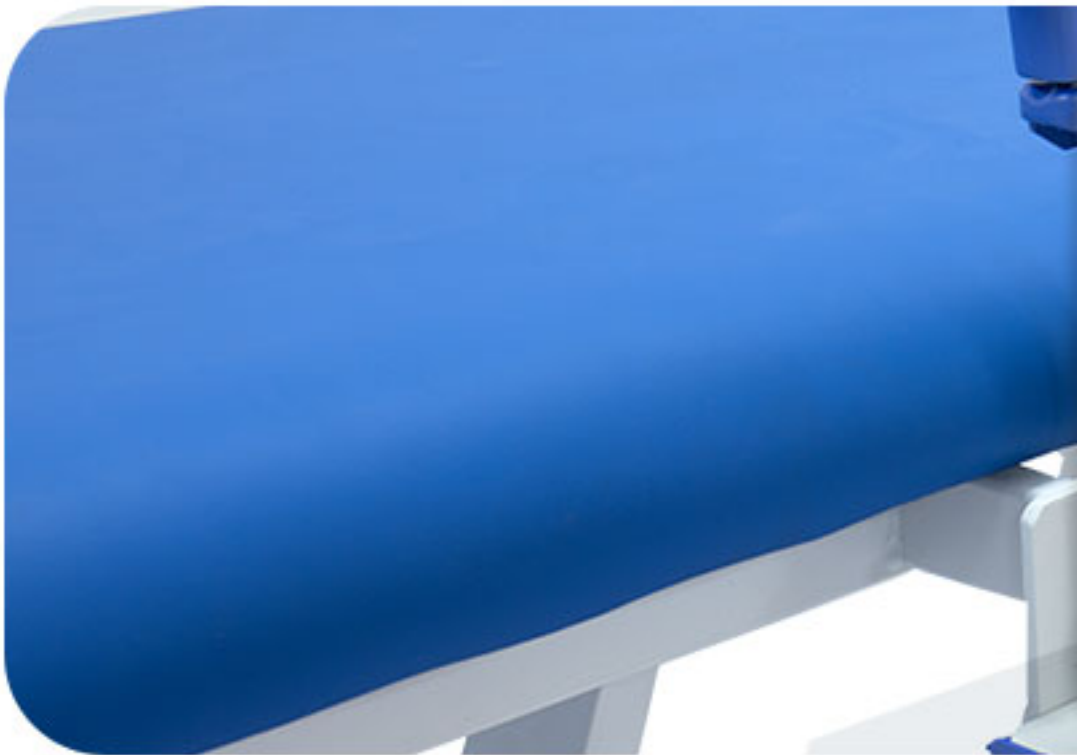
---



3

Professional  
Medical Leather  
corrosion resistance

---



4

Anti-collision guide  
wheels , easy to  
move

---



Maximum load capacity of the backrest is **40KG**  
Maximum load capacity of the cushion is **150KG**



# **SCOPE OF APPLICATION**

WIDE RANGE OF PRODUCT APPLICATIONS



Hospital transfers



Domiciliary care



Rescue Services